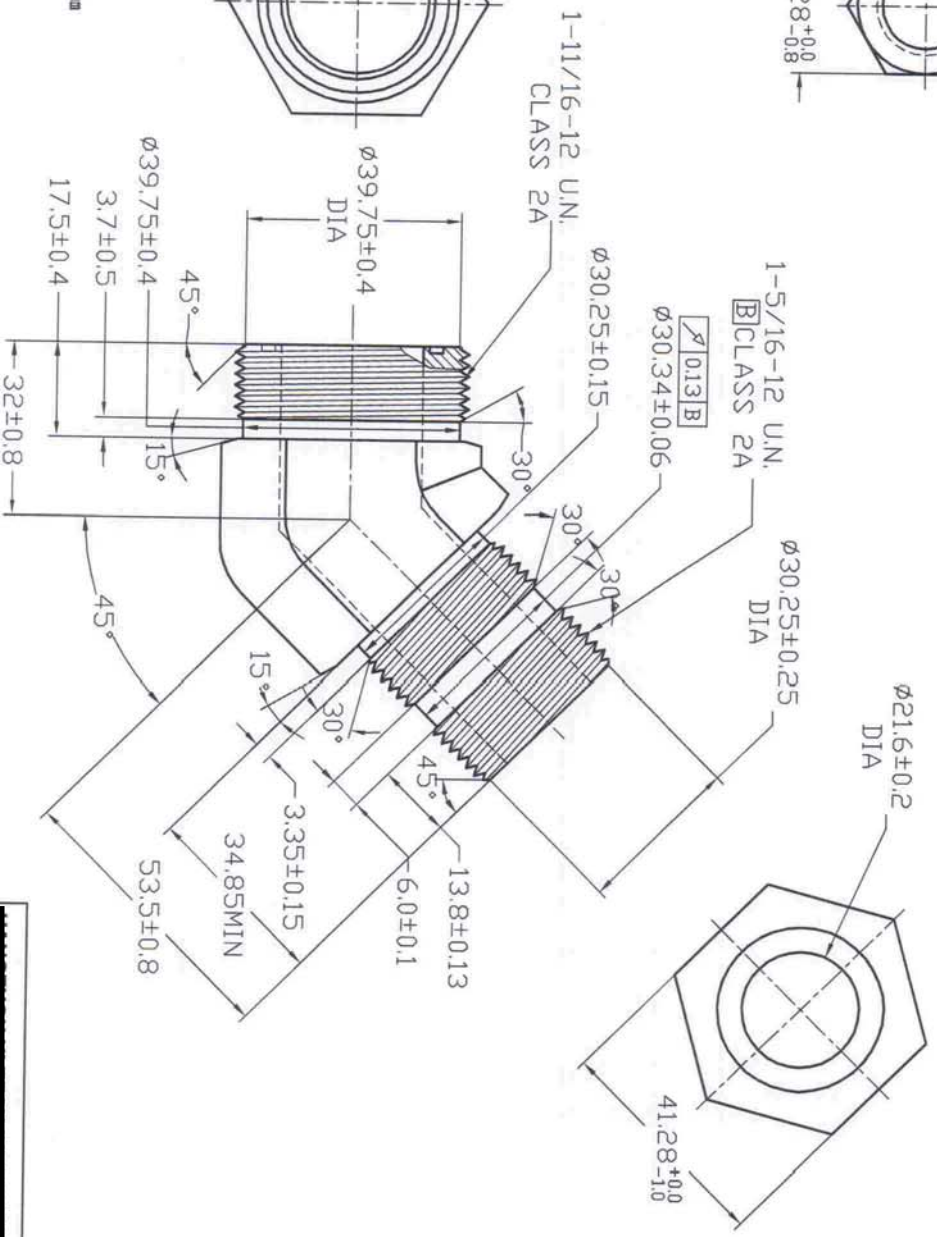
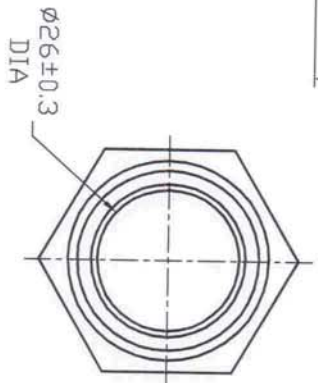
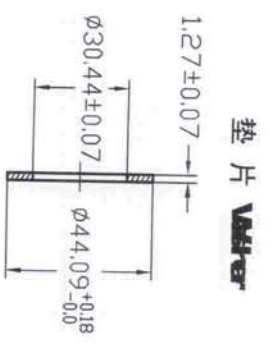
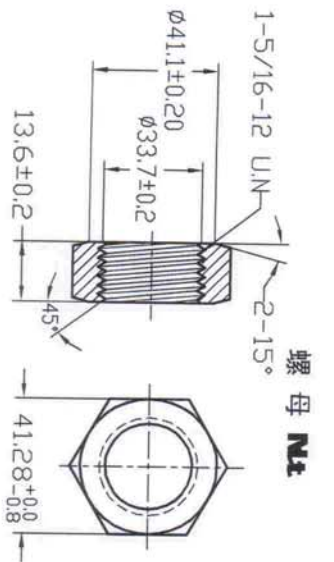


REV	DATE	REVISION DETAILS	APPD
更改号	日期	更改内容	审核并批准



UNLESS SPECIFIED
 ALL DIMENSIONS IN mm
 MACHINED SURFACES Ra=3.2um 表面粗糙度Ra=3.2um
 ANGLE TOLERANCES ±1° 角度公差±1°
 DECIMAL TOLERANCES:
 .x: ±0.5
 .xx: ±0.25
 .xxx: ±0.127

MATERIAL: Chinese steel 45

FINISH: Remove all sharp edges, burrs, slivers and swarf, break all edges 0.127-0.254mm, 去除所有毛刺, 铁屑等残留物, 锐边倒钝0.127-0.254mm.
 ZINC PLATED WITH TRIVALENT CHROMATE AND NO RED CORROSION IN 96 HOURS SALT SPRAY TEST. 镀三价铬锌, 银白色, 96小时盐雾试验无红锈。

PART No 零件名	40944-20FS-16NW0
SCALE:	APPD: Zhangjian
NTS	DATE: 2013.09.21
	DRN: Tangtaolin
	CHK: Lijunbiao
	审核